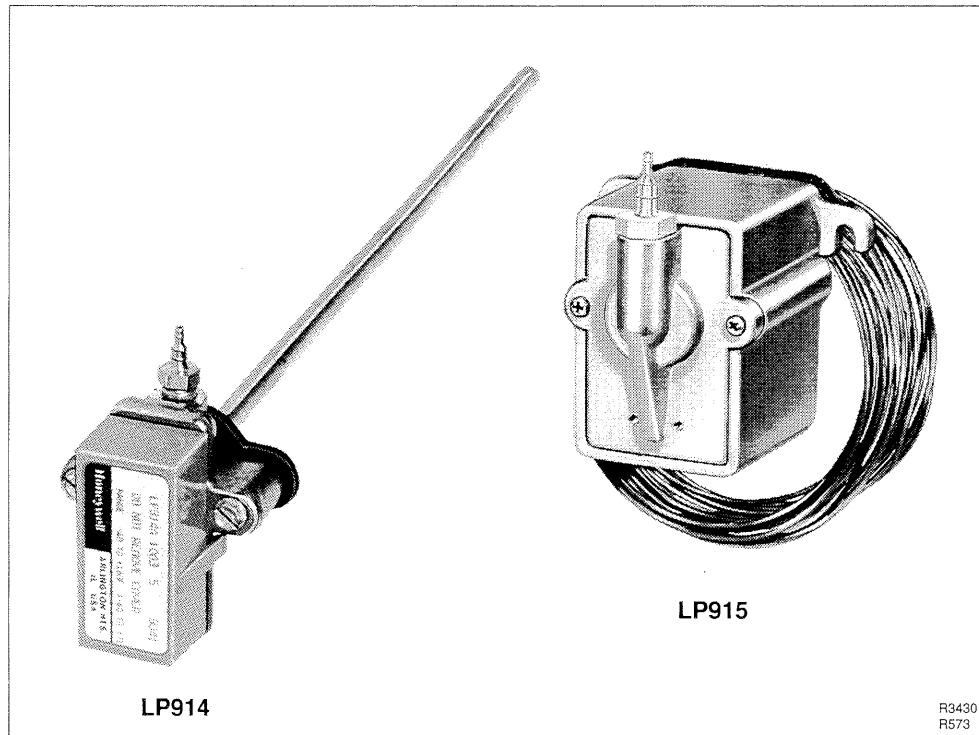


LP914A and LP915A Pneumatic Temperature Sensors



General

The LP914A and LP915A Pneumatic Temperature Sensors are proportional-type temperature sensors used with a pneumatic controller for control of pneumatic valves and damper actuators in fanroom applications. The LP915A is a duct-mounted, liquid-filled, averaging type sensor. The rod and tube insertion element of the LP914A can be duct-, well-, or through-the-wall-mounted.

Features

- May be used with a calibrated gage for continuous temperature indication

Description

The LP914A and LP915A Pneumatic Temperature Sensors are proportional-type temperature sensors used with a pneumatic controller for control of pneumatic valves and damper actuators in fanroom applications. The LP915A is a duct-mounted, liquid-filled, averaging type sensor. The rod and tube insertion element of the LP914A can be duct-, well-, or through-the-wall-mounted.

Specifications

Models:

- LP914A: Insertion element, direct acting
- LP915A: Averaging element, direct acting

Sensing Range:

Nonadjustable

LP914A	LP915A
-40 to +160F (-40 to +71C)	0 to 200F
+40 to +240F (+4 to +115C)	(-18 to +93C)
-20 to +80F (-29 to +27C)	25 to 125F
+25 to +125F (-4 to +52C)	(-4 to +52C)

Maximum Safe Temperature at the Element:

LP914A: 265F (129C)
LP915A: 225F (107C)

Supply Air Pressure:

18 psi (124 kPa) nominal

Maximum Safe Air Pressure:

25 psi (172 kPa)

Pressure Output:

3 to 15 psi (21 to 103 kPa)

Air Consumption:

0.019 scfm (540 sccm)

Air Connections:

Push-on combination barb connector for 5/32-in. (4-mm) and 1/4-in. (6-mm) O.D. tubing

Mounting:

LP914A: Duct mounted, or through-the-wall (maximum 12 in. [305 mm] thick) mounted
LP915A: Duct mounted

Element (Type and Size):

LP914A: Rod and tube, 7 in. (178 mm) and 15 in. (381 mm) lengths for water and air
LP915A: Liquid filled, 8 ft 10 in. (2.7m) or 18 ft 6 in. (5.6m) averaging

Finish:

LP914A: Gray styrene plastic cover, nonremovable
LP915A: Brass forging

Accessories Available:

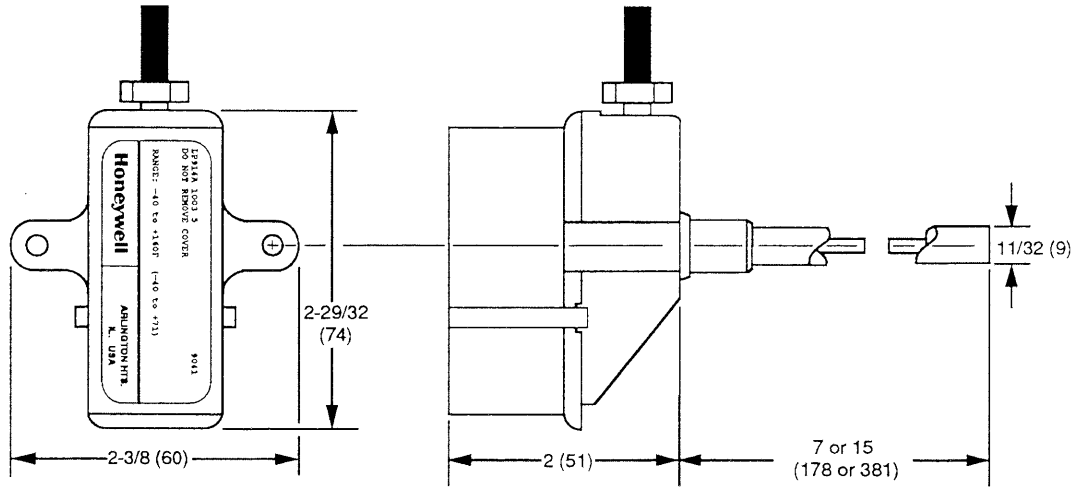
Wells for LP914A:

- Copper
 - 315046A for 15-in. (381 mm) element
 - 315046B for 6-1/2-in. (165 mm) element
- Stainless Steel
 - 315904A for 15-in. (381 mm) element
 - 315904B for 6-1/2-in. (165 mm) element

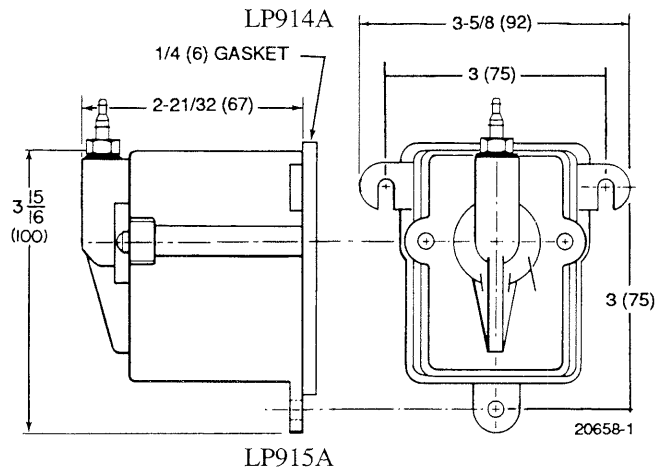
LP915A

- 314439 Averaging element clip
- 311085-00107 Sunshade for LP914A Through-the-wall mounting model

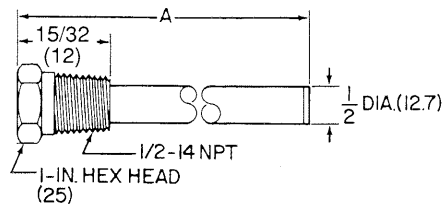
Dimensions In Inches (Millimeters):



C4900



20658-1



- A Dimension
 Copper:
 315046A 15-15/32 in. (393 mm)
 315046B 7-15/32 in. (190 mm)
 Stainless Steel:
 315904A 15-13/32 in. (391 mm)
 315904B 7-13/32 in. (188 mm)

164-2

LP914A Wells